

NOTES : (UNLESS OTHERWISE SPECIFIED)

MATERIAL

- CONTACT (SHORT) : BRASS C2680H, T=0.25mm
- CONTACT (LONG) : BRASS C2680H, T=0.25mm
- HOUSING : THERMOPLASTIC, UL94V-0
- BACK PLUG : THERMOPLASTIC, UL94V-0
- FRONT SHIELD : C2680H, T=0.30mm
- REAR SHIELD : SPCC, T=0.30mm
- SHIELD FOR EMI : BRASS C2680H, T=0.30mm

SPECIFICATION

- VOLTAGE RATING : 30V
- CURRENT RATING : 1.5AMP @ 250V AC
- CONTACT RESISTANCE : 30 MILLIOHMS MAX.
- INSULATION RESISTANCE : 1,000 MEGOHMS MIN. @ 500V DC
- DIELECTRIC WITHSTANDING VOLTAGE : 500V AC
- TEMPERATURE RANGE : -20°C ~ +60°C
- INSERTION FORCE : 35N, MAX.
- EXTRACTION FORCE : 10N, MIN.
- WAVE SOLDERING TEMPERATURE :
PBT - 250°C FOR 5 SECONDS
LCP - 275°C FOR 5 SECONDS

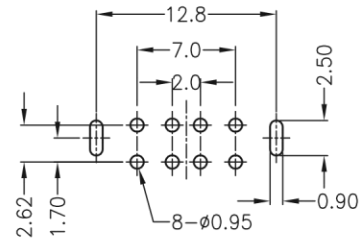
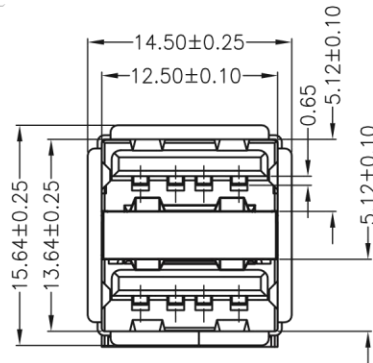
ORDER OPTIONS

RU601 - X X X T008M2 - F12SNNS

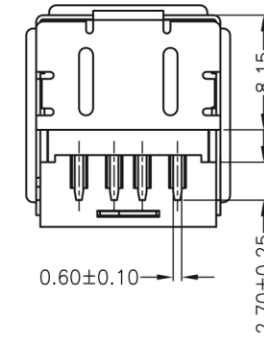
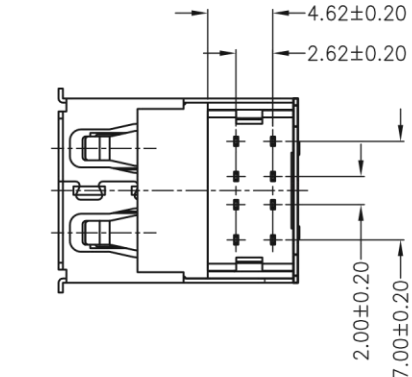
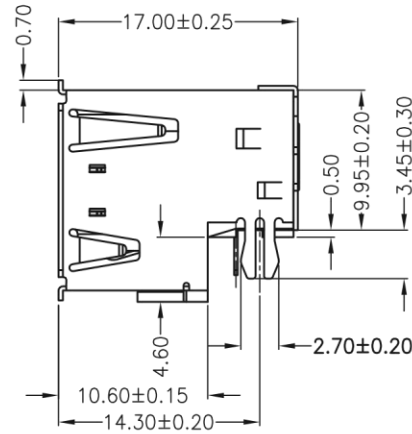
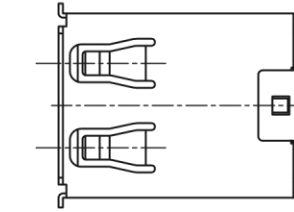
PLATING
 0~Au 0.2~1μ ON CONTACT AREA
 1~Au 3μ ON CONTACT AREA
 4~Au 15μ ON CONTACT AREA
 6~Au 30μ ON CONTACT AREA

PLASTIC COLOR
 0~YELLOW
 1~BLACK
 2~BEIGE (WHITE)
 A~BLUE

HOUSING MATERIAL
 1~THERMOPLASTIC-LCP, UL94V-0
 6~HIGH-TEMPERATURE PBT, UL94V-0



RECOMMENDED P.C.B HOLE LAYOUT
 TOP VIEW(TOLERANCE:±0.10)



RoHS Directive compliant 2002/95/EC	METRIC	Han Electronic
	DRAWER JJ, PARK	
	APPROVER P. TURNEAU	TITLE USB 2.0 A TYPE 2x1 Port, OFF-SET RECEPTACLE H=10.00mm
	DIMENSIONS ARE IN MILLIMETERS TOLERANCES X. ±0.38 X.X ±0.25 X.XX ±0.20 X.XXX ±0.10 ANGULAR ±3°	
THIRD ANGLE PROJECTION	SIZE A4	PRODUCT NO. RU601-xxxT008M2-F12SNNS
	SHEET NO. 1 OF 1	SCALE 1 : 1