

**NOTES :** (UNLESS OTHERWISE SPECIFIED)

**MATERIAL**

- CONTACT : BRASS C2680EH, T=0.25mm
- HOUSING : THERMOPLASTIC, UL94V-0
- BACK PLUG : THERMOPLASTIC, UL94V-0
- FRONT SHIELD : BRASS C2680H, T=0.30mm
- REAR SHIELD : SPCC, T=0.30mm

**SPECIFICATION**

- VOLTAGE RATING : 30V
- CURRENT RATING : 1.5AMP @ 250V AC
- CONTACT RESISTANCE : 30 MILLIOHMS MAX.
- INSULATION RESISTANCE : 1,000 MEGOHMS MIN. @ 500V AC
- DIELECTRIC WITHSTANDING VOLTAGE : 500V AC
- TEMPERATURE RANGE : -20°C ~ +60°C
- INSERTION FORCE : 35N. MAX.
- EXTRACTION FORCE : 10N. MIN
- WAVE SOLDERING TEMPERATURE :  
PBT - 250°C FOR 5 SECONDS  
LCP - 275°C FOR 5 SECONDS

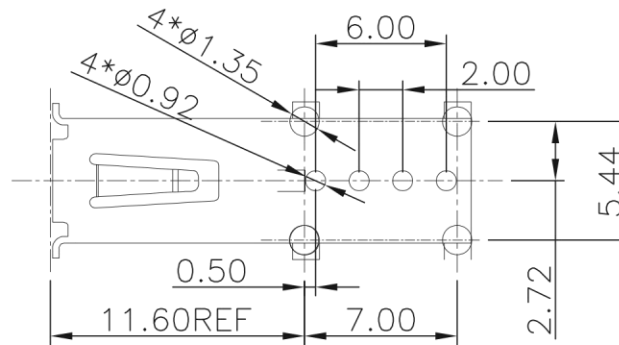
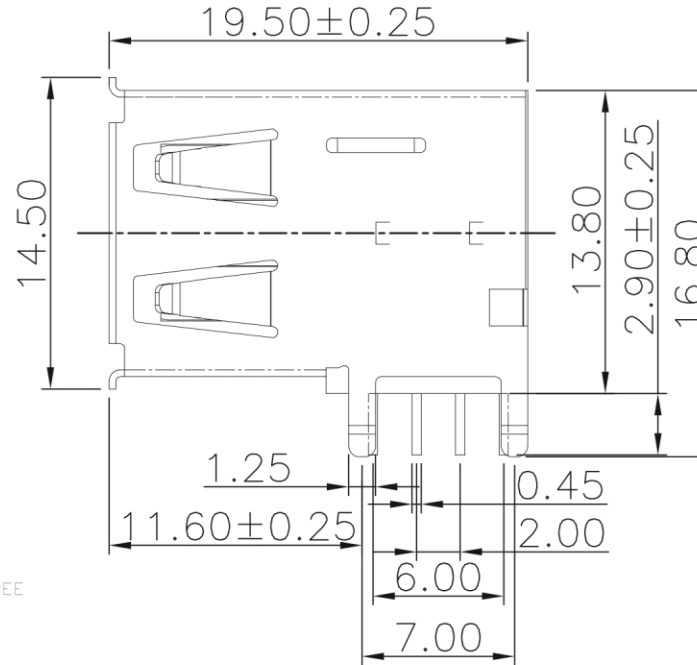
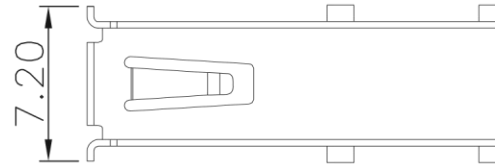
**ORDER OPTIONS**

RU6C3 - x x x T004MA

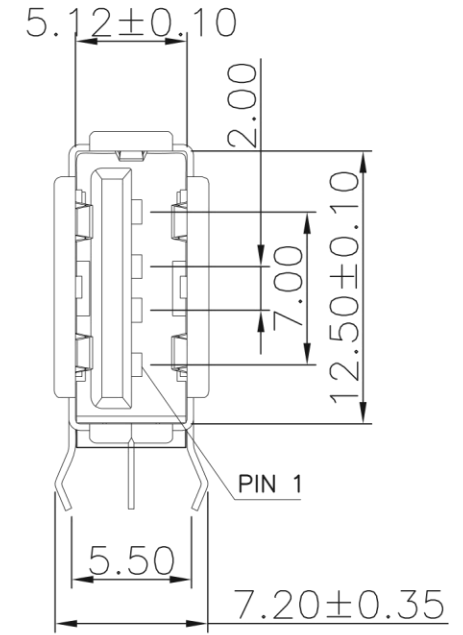
**PLATING**  
 0~Au 0.2~1μ ON CONTACT AREA  
 1~Au 3μ ON CONTACT AREA  
 4~Au 15μ ON CONTACT AREA  
 6~Au 30μ ON CONTACT AREA

**PLASTIC COLOR**  
 0~YELLOW  
 1~BLACK  
 2~BEIGE (WHITE)  
 A~BLUE

**HOUSING MATERIAL**  
 1~THERMOPLASTIC-LCP, UL94V-0, HALOGEN FREE  
 6~HIGH-TEMPERATURE PBT, UL94V-0



**RECOMMENDED P.C.B LAYOUT**  
**TOLERANCE: ±0.05**



RoHS Directive compliant 2002/95/EC LEAD FREE PRODUCT DRAWN APPROVED THIRD ANGLE PROJECTION	<b>METRIC</b>	<b>Han Electronic</b>
	DRAWN JJ, PARK	
	APPROVED P. TURNEAU	TITLE USB 2.0 A TYPE SIDE ENTRY THROUGH HOLE
	DIMENSIONS ARE IN MILLIMETERS TOLERANCES X. ±0.38 X.X ±0.25 X.XX ±0.20 X.XXX ±0.10 ANGULAR ±3°	PRODUCT NO. RU6C3-xxxT004MA
SIZE <b>A4</b>	SHEET NO. 1 OF 1	SCALE 1 : 1