

※NOTES※

MECHANICAL

- ① HOUSING : HIGH-TEMPERATURE PBT+30% G.F., UL94V-0
- ② SHIELD : COPPER ALLOY, Sn PLATED
- ③ TERMINALS : COPPER ALLOY, GOLD/TIN PLATED

SPECIFICATION

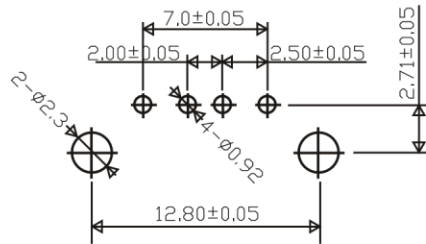
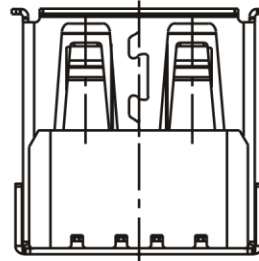
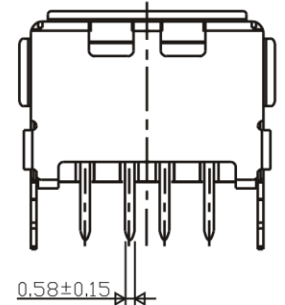
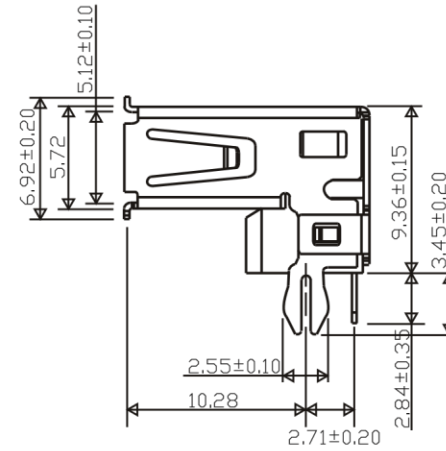
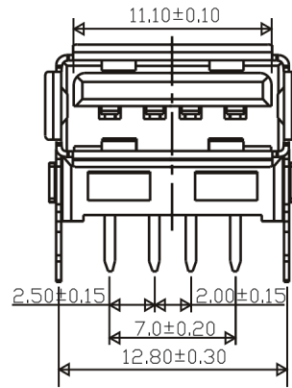
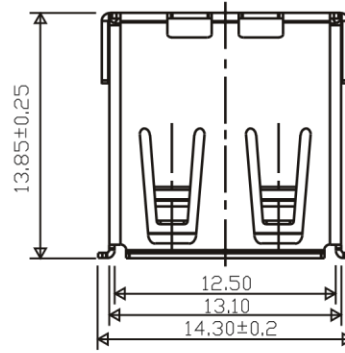
- ① RATING : 30V/AC, 1.5 AMPHERES
- ② INSULATION RESISTANCE : 1000MΩ MIN.
- ③ CONTACT RESISTANCE : 30mΩ MAX.
- ④ WITHSTANDING VOLTAGE : 500V AC
- ⑤ OPERATION TEMPERATURE : -55°C ~ +85°C
- ⑥ MATING FORCE : 35N MAX.
- ⑦ UNMATING FORCE : 10N MIN.
- ⑧ WAVE SOLDERING PEAK TEMPERATURE : 245°C FOR 5 SECS.

PRODUCT ORDER OPTION

RU6Y1-6 * * T004M2

PLATING
 0~Au 0.2~1μ ON CONTACT AREA
 2~Au 3μ ON CONTACT AREA
 4~Au 15μ ON CONTACT AREA

HOUSING COLOR
 1~BLACK
 2~WHITE
 A~BLUE #285C



RECOMMENDED CIRCUIT BOARD LAYOUT

QUALITY CONTROLING DEPARTMENT WILL PROVIDE THE SYMBOL AS ★	METRIC		Han Electronic		
	DRAWER	PING LI			
	APPROVER	SKY WANG			
	DIMENSIONS ARE IN MILLIMETERS TOLERANCES		TITLE		
RoHS COMPLIANT HLF LEAD FREE	X. --- X.X ±0.35 X.XX ±0.25 X.XXX ±0.15 ANGLES ±3°	USB 2.0 CONNECTOR RECEPTACLE, A/F, HAB=9.36mm, THT			
	DO NOT SCALE DRAWINGS		PRODUCT NUMBER		
	THIRD ANGLE PROJECTION		RU6Y1-6**T004M2		
SIZE	A4	REV.	SCALE	SHEET 1 OF 1	