

**NOTES :** (UNLESS OTHERWISE SPECIFIED)

**MATERIAL**

- HOUSING : THERMOPLASTIC-LCP, UL94V-0
- CONTACT : COPPER ALLOY C2680
- SHIELD : COPPER ALLOY C2680

**SPECIFICATION**

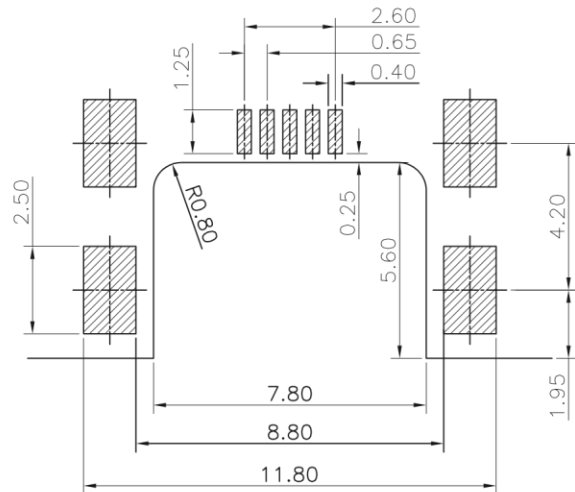
- VOLTAGE RATING : 30V DC
- CURRENT RATING : 1.0A./CONTACT TERMINAL
- CONTACT RESISTANCE : 50 MILLIOHMS MAX.
- INSULATION RESISTANCE : 1,000 MEGOHMS MIN. @ 500V DC
- DIELECTRIC WITHSTANDING VOLTAGE : 30V AC AT SEA LEVEL
- MATING FORCE : 3.0kgf MAX.
- UNMATING FORCE : 0.70kgf MIN.
- RETENTION FORCE : 0.5kgf MIN.
- WAVE SOLDERING TEMPERATURE : 270±5°C FOR 5 SECONDS

**ORDER OPTIONS**

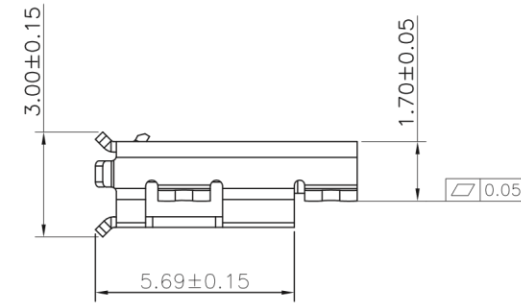
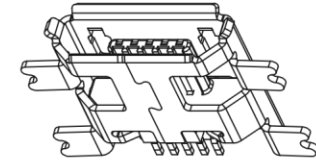
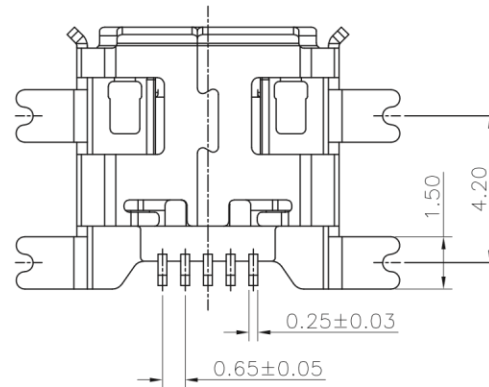
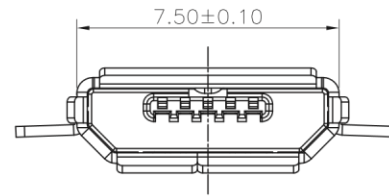
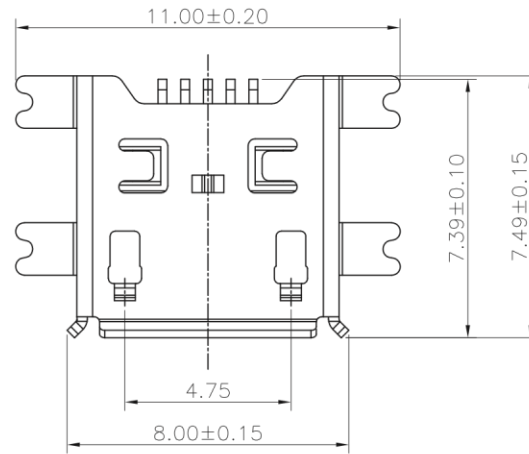
RU803 - 1 x x R00514

**PLATING**  
 0~Au 0.2~1μ ON CONTACT AREA  
 1~Au 3μ ON CONTACT AREA  
 3~Au 10μ ON CONTACT AREA  
 4~Au 15μ ON CONTACT AREA  
 6~Au 30μ ON CONTACT AREA

**HOUSING COLOR**  
 1~BLACK 3~BEIGE(WHITE)



**Recommended P.C.B Layout**  
(Tol±0.05)



RoHS Directive compliant 2002/95/EC	LEAD FREE PRODUCT	<b>METRIC</b>	<b>Han Electronic</b>
	DRAWER H. TANAKA	TITLE MICRO USB 2.0 A TYPE, OFF-SET SURFACE MOUNT TYPE	
	APPROVER K. OZAWA	DIMENSIONS ARE IN MILLIMETERS TOLERANCES X.X ±0.15 X.XX ±0.10 X.XXX ±0.05 ANGULAR ±2°	PRODUCT NO. RU803-1xXR00514
	THIRD ANGLE PROJECTION	SIZE A4	SHEET NO. 1 OF 1