

※NOTES※

MECHANICAL

- ① HOUSING : THERMOPLASTIC-NYLON 66 +30% G.F., UL94V-0
SELECTIVE COLOR
- ② CONTACT : BRASS

SPECIFICATION

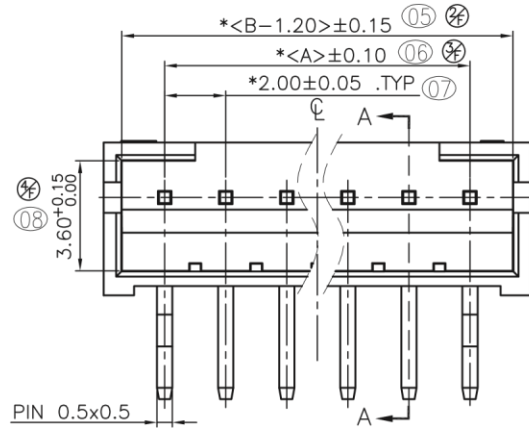
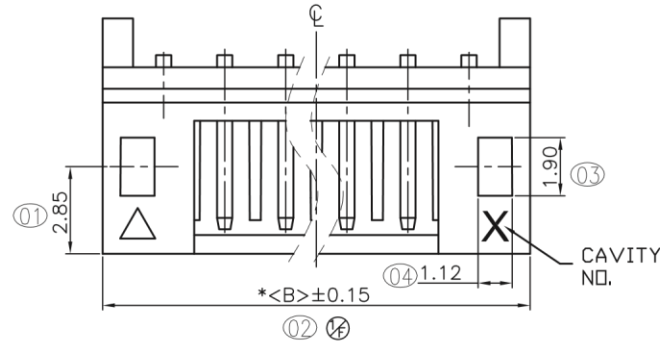
- ① VOLTAGE RATING : 100V AC/DC
- ② CURRENT RATING : 2AMP AC/DC
- ③ WITHSTANDING VOLTAGE : 800V AC FOR 1 MINUTE
- ④ TEMPERATURE RANGE : -25°C ~ +85°C
- ⑤ INSULATION RESISTANCE : 1,000MΩ MIN.
- ⑥ CONTACT RESISTANCE : 10mΩ MAX.

PRODUCT ORDER OPTION

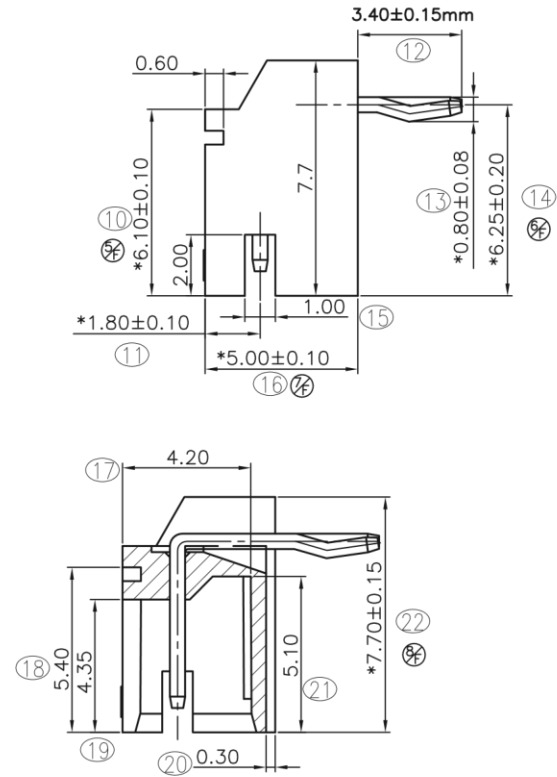
RWB05-5 ※ JF0 ※※ M1

CKT NO.
HOUSING COLOR
1~BLACK
2~WHITE

CKT	DIM. A	DIM. B
02	2.00	6.00
03	4.00	8.00
04	6.00	10.00
05	8.00	12.00
06	10.00	14.00
07	12.00	16.00
08	14.00	18.00
09	16.00	20.00
10	18.00	22.00
11	20.00	24.00
12	22.00	26.00
13	24.00	28.00
14	26.00	30.00
15	28.00	32.00
16	30.00	34.00
17	32.00	36.00
18	34.00	38.00
19	36.00	40.00
20	38.00	42.00



Recommended P.C.B Layout(Top Side)
P.C.B Thickness = 1.20-1.60mm
(Tolerance= ± 0.05)



METRIC		Han Electronic
DRAWER	Y. TOMITA	
APPROVER	P. TURNEAU	
DIMENSIONS ARE IN MILLIMETERS TOLERANCES		TITLE
X.	----	PITCH 2.00mm WIRE TO BOARD CONNECTOR RECEPTACLE R/A, THROUGH HOLE TYPE
X.X	± 0.25	
X.XX	± 0.15	
X.XXX	± 0.10	
ANGLES	$\pm 2^\circ$	
DO NOT SCALE DRAWINGS		PRODUCT NUMBER
THIRD ANGLE PROJECTION		RWB05-5*JF0**M1
SIZE	REV.	SCALE
A4		1 : 1
		SHEET 1 OF 1