

NOTES: (UNLESS OTHERWISE SPECIFIED)

MATERIAL

- BASE HOUSING : THERMOPLASTIC-LCP, UL94V-0, COLOR BLACK
- STEM : THERMOPLASTIC-LCP, UL94V-0, COLOR BEIGE
- COVER : STAINLESS STEEL, NICKEL PLATING
- CONTACT SPRING : PHOSPHOR BRONZE, SILVER PLATING

SPECIFICATION

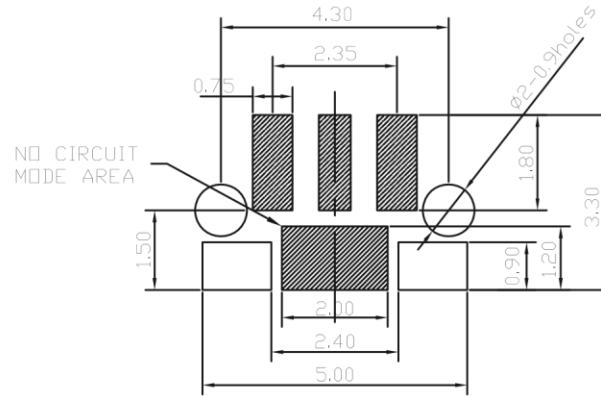
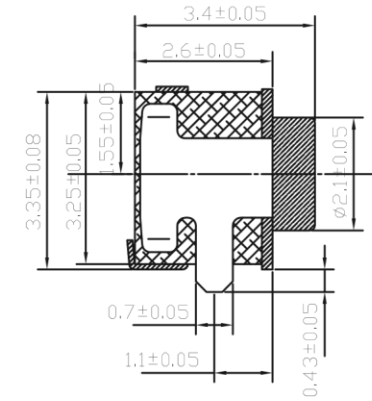
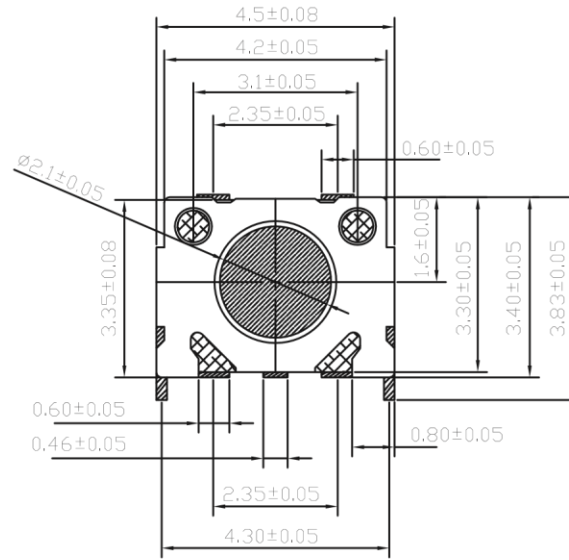
- RATING : 50mA, DC12V MAX.
- CONTACT RESISTANCE : 500mΩ MAX.
- BOUNCE : 10m SEC. MAX.
- TRAVEL : 0.2±0.1mm
- OPERATING FORCE : 160±50gf
- OPERATING LIFE CYCLES : 100,000 CYCLES MIN.
- OPERATION TEMPERATURE : -25°C ~ +105°C
- STORAGE TEMPERATURE : -20°C ~ +70°C
- REFLOW PEAK TEMPERATURE : 260±5°C FOR 5 SECS. MAX.

** RoHS COMPLIANCE, PER EU DIRECTIVE 2002/95/EC.
 ** HALOGEN FREE PRODUCT.

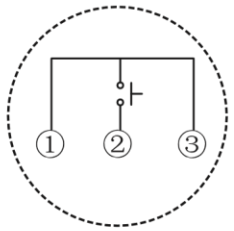
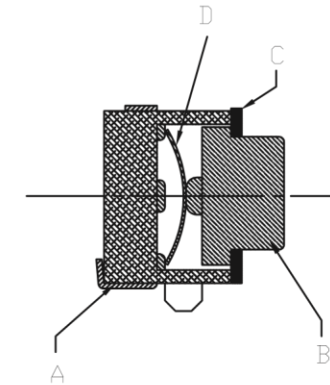
PRODUCT NUMBER INFORMATION

SWA05- 1 1SR003V1

BASE&STEM MATERIAL
 1-THERMOPLASTIC-LCP, UL94V-0
 (HALOGEN FREE)



RECOMMENDED CIRCUIT BOARD LAYOUT
 (TOP VIEW)
 TOLERANCE ±0.05mm



CIRCUIT DIAGRAM

RoHS Directive compliant: 2002/95/EC Pb LEAD FREE PRODUCT	METRIC	Han Electronic	
	DRAWN A. TAKUYA	NOTICE OF PROPRIETARY PROPERTY THE INFORMATION CONTAINED HEREIN IS THE PROPRIETARY PROPERTY OF WIPAC ELECTRONICS INTERNATIONAL COMPANY LIMITED.	
	APPROVER K. KITAGAWA	COPYRIGHT 2008. ALL RIGHTS RESERVED. WIPAC THE LOGO IS TRADEMARK OF WIPAC ELECTRONICS INT'L CO., LTD.	
	DIMENSIONS ARE IN MILLIMETERS TOLERANCES X.X ±0.05 X.XX ---- X.XXX ---- ANGULAR ±2°	TITLE LIGHT ROLLING TACTILE SWITCH R/A SMT	
THIRD ANGLE PROJECTION	SIZE A4	PRODUCT NO. SWA05-11SR003V1	
	SHEET NO. 1 OF 1	SCALE N/A	